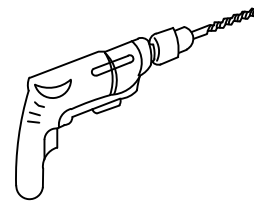
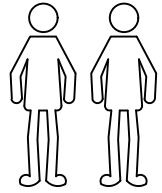
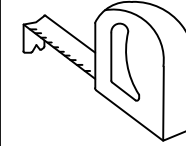
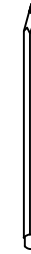
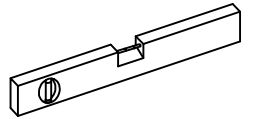


1



Order	(L*W) MM
①	400*435=1
②	400*435=1
③	990*100=1
④	960*65=1
⑤	960*78=1
⑥	960*78=1
⑦	960*355=1
⑧	270*494=1
⑨	270*494=1

A



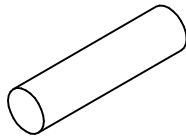
∅15*13mm
=23

B



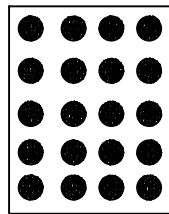
∅8*40mm
=23

C



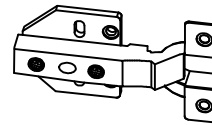
∅8*40mm
=8

F



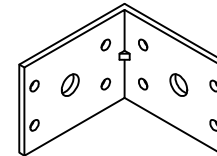
∅20*0.3mm=25

G



25*65*25mm
=4

H-H



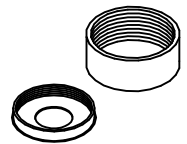
67*67*40mm
=2

I



4*14mm
=40

J



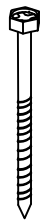
∅20*8mm
=3

K



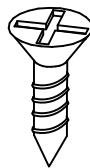
∅10*43mm
=3

L



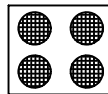
∅6*70mm
=3

M-M



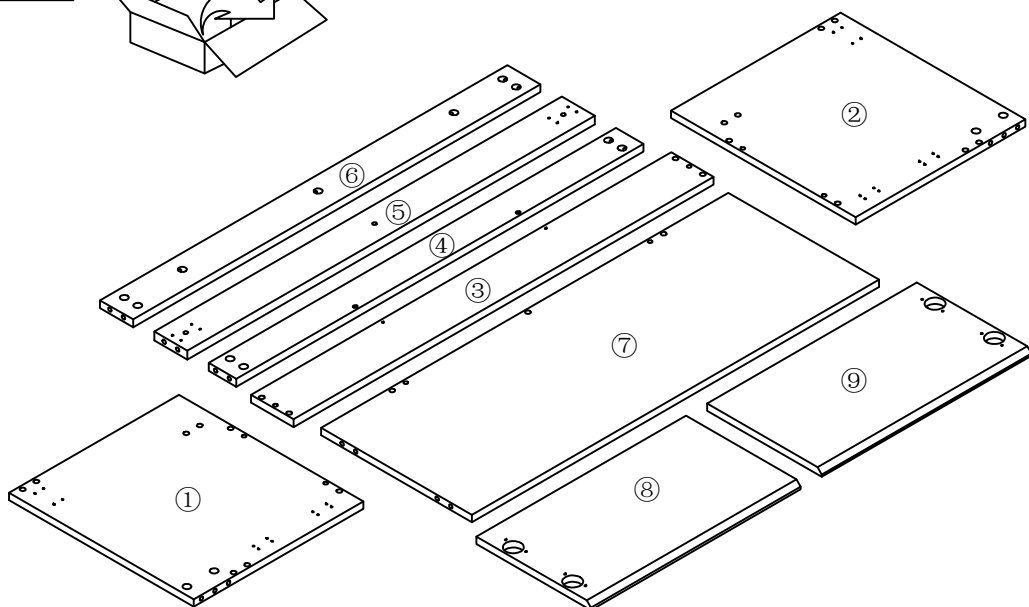
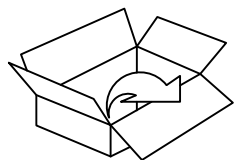
4*20mm
=3

P

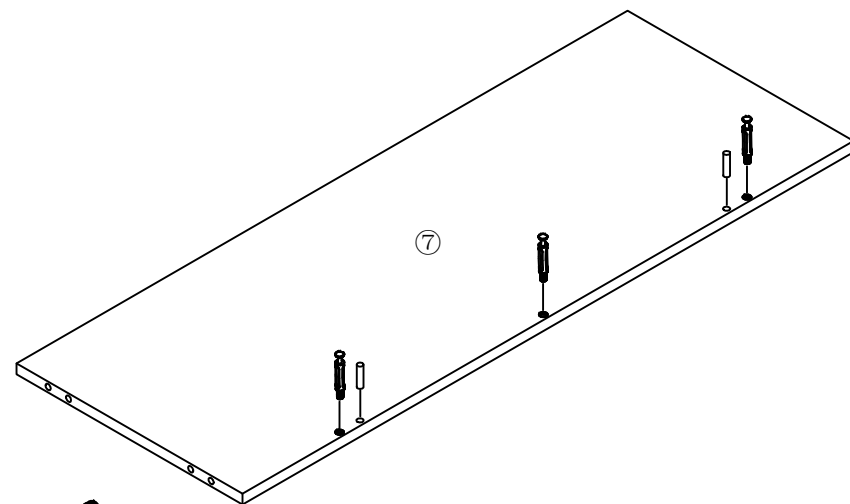



∅18*4mm
=4


1



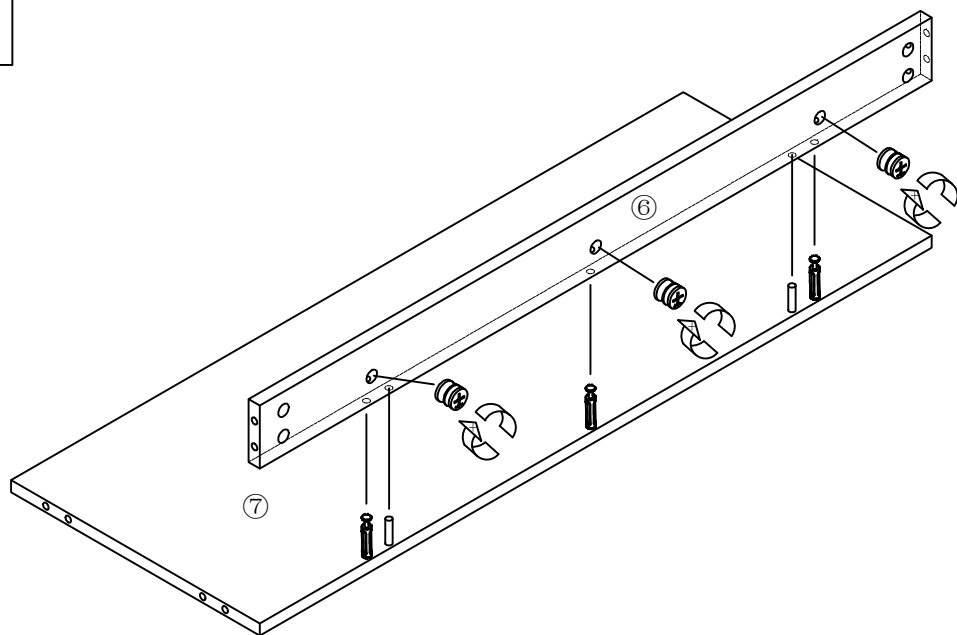
2




B=3* 

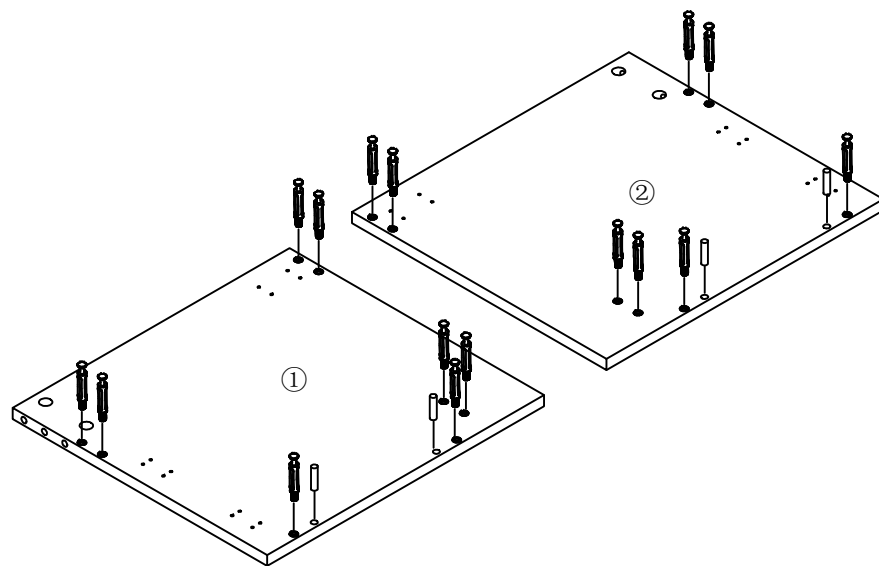
C=2* 


3




A=3* 

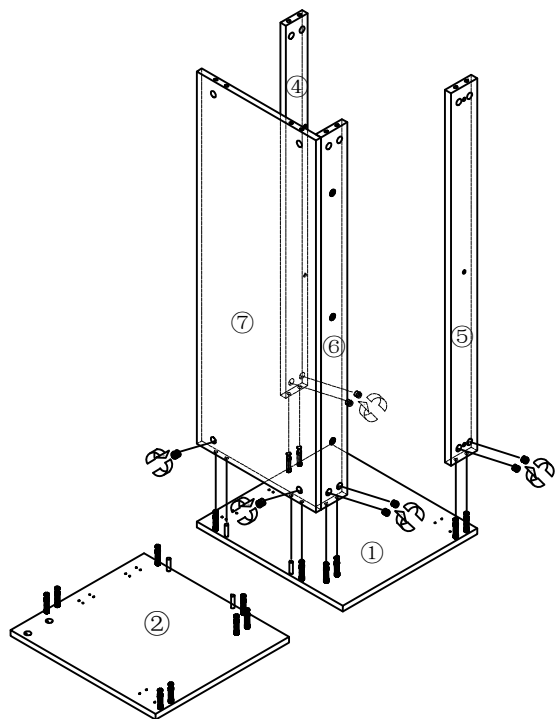
4




B=16* 

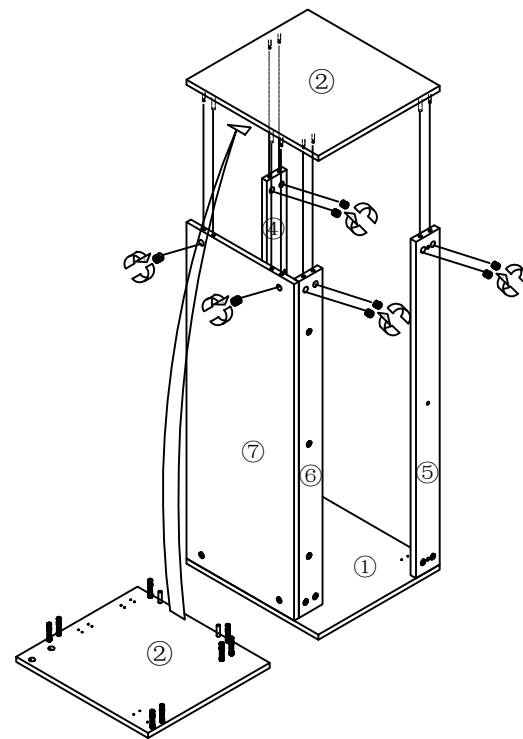
C=4* 

5



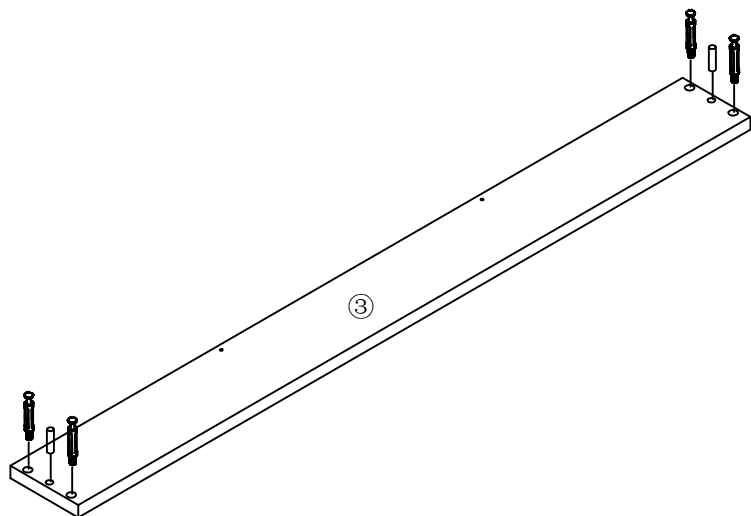
A=8* 


6



A=8* 

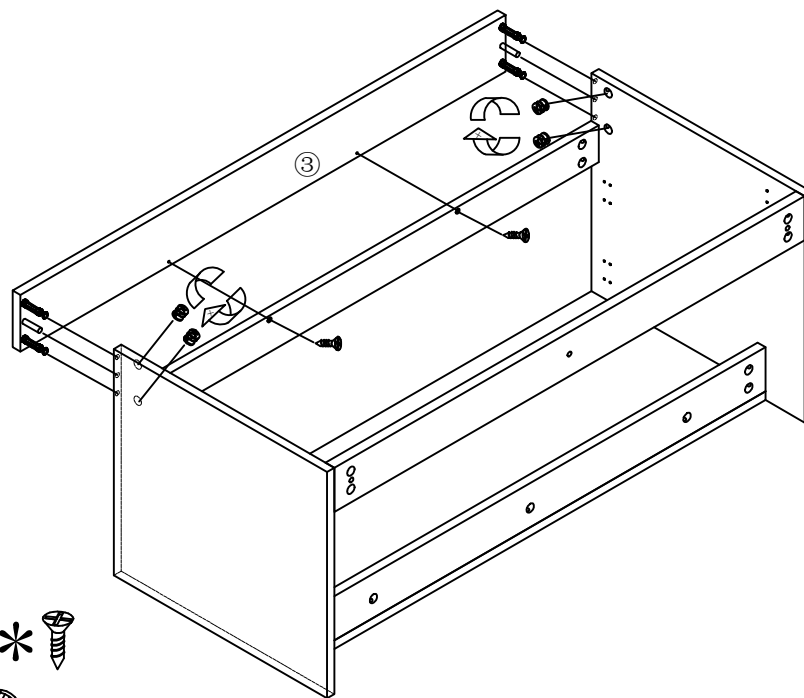
7





B=4* 

C=2* 

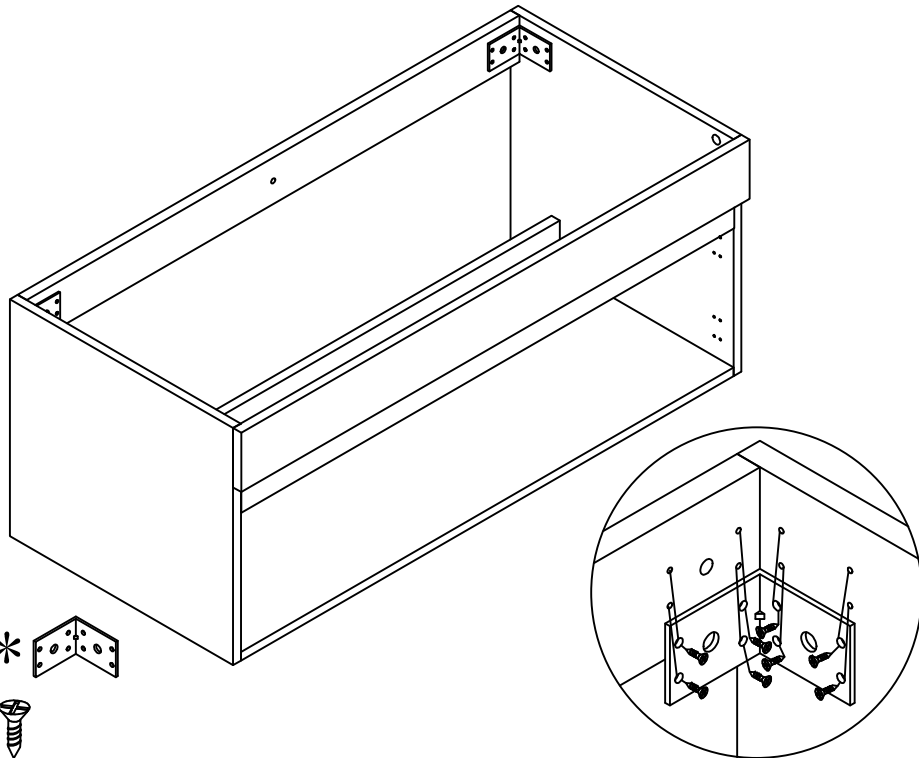
8





M-M=2* 

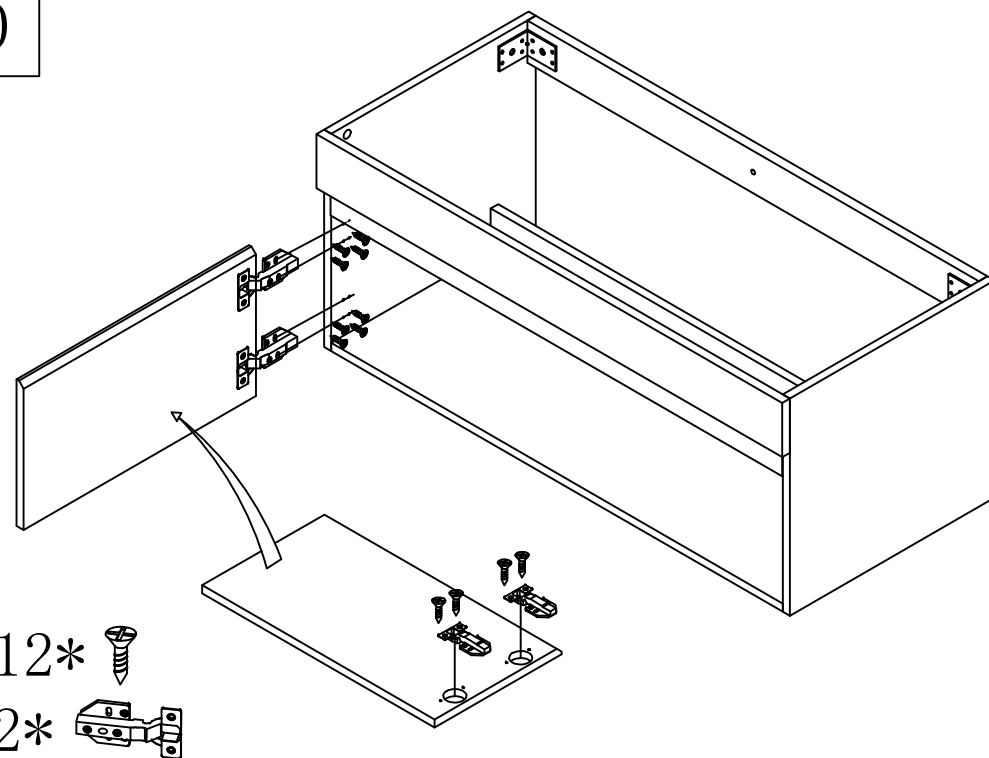
A=4* 



9



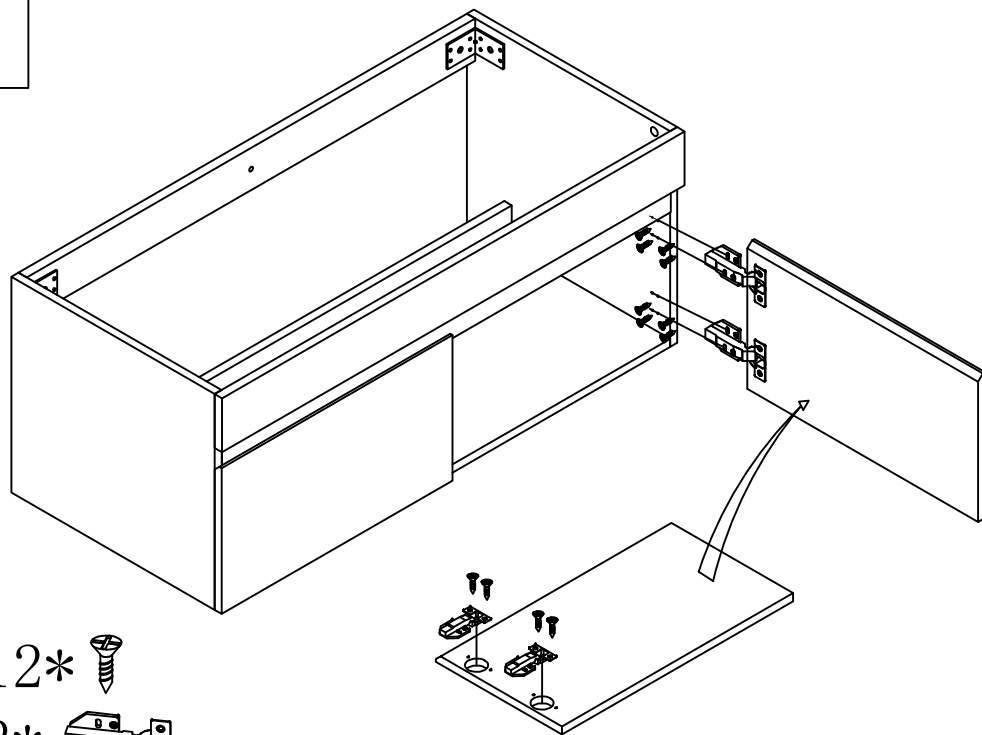
H-H=2* 
 I=16* 



10



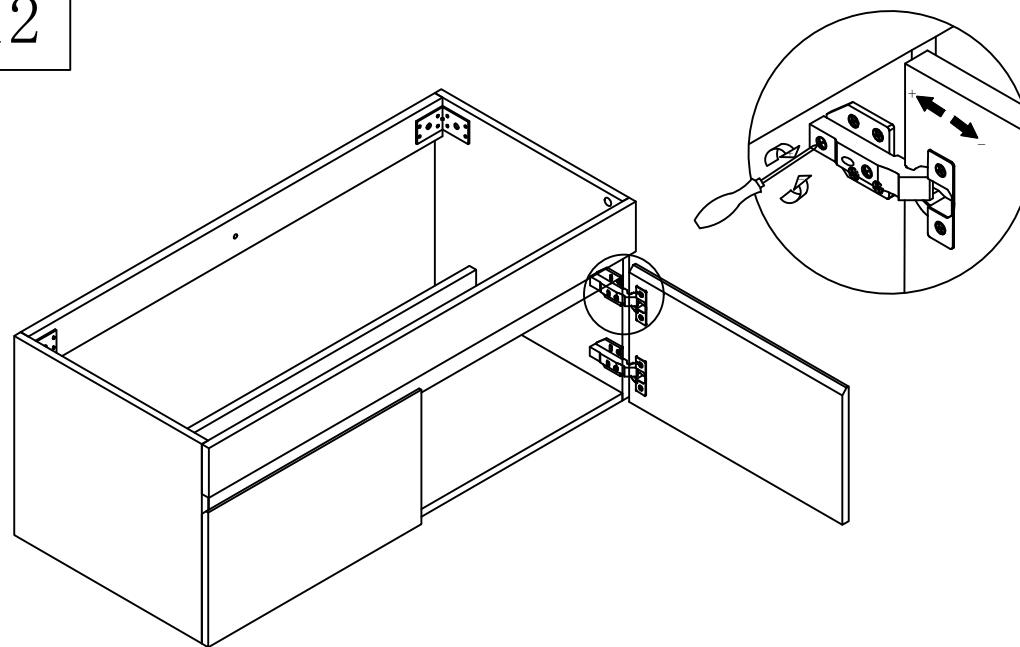
I=12* 
 G=2* 

11

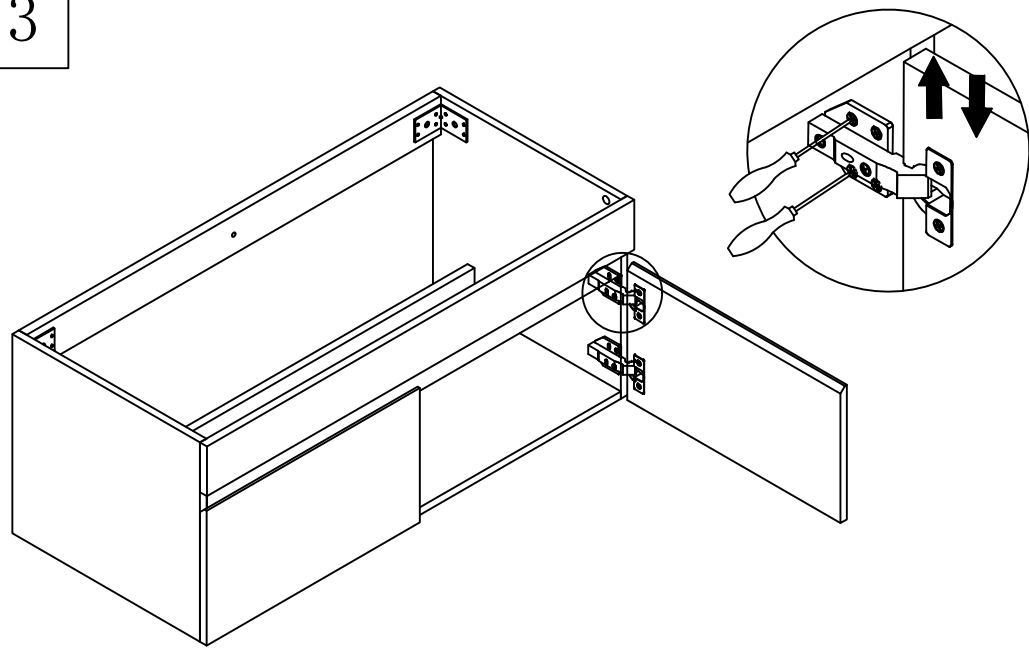


I=12* 
 G=2* 

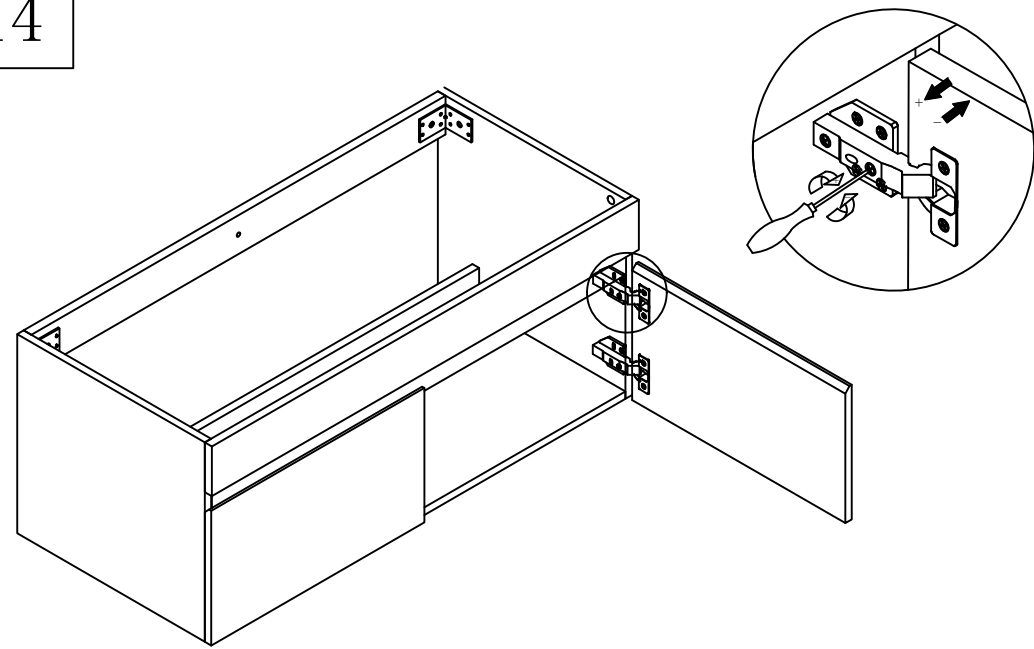
12



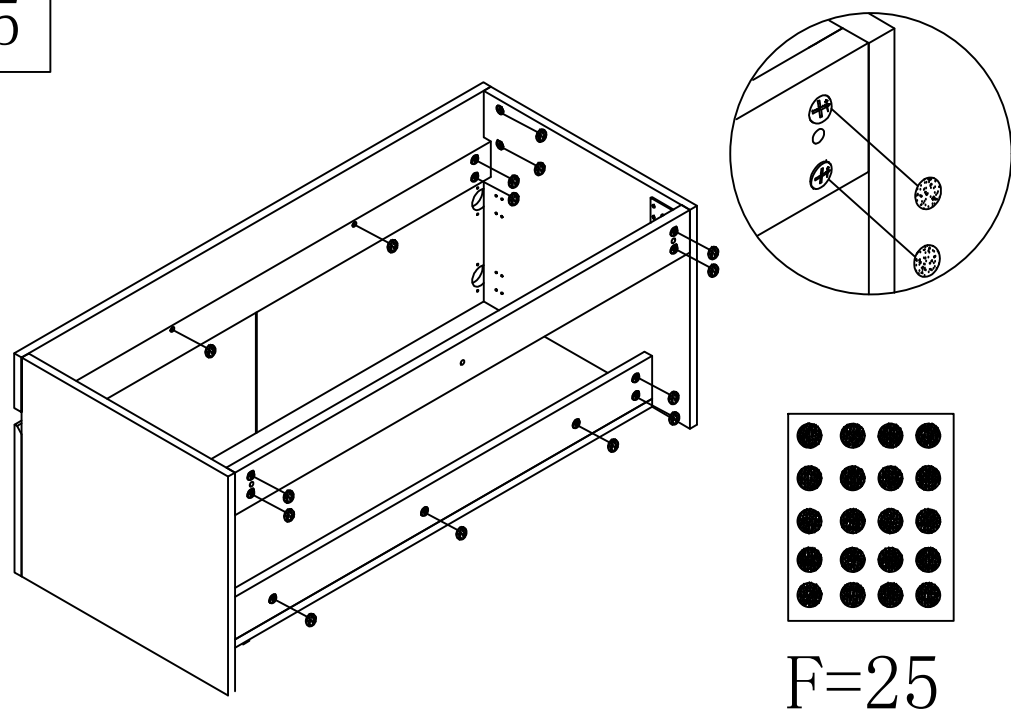
13



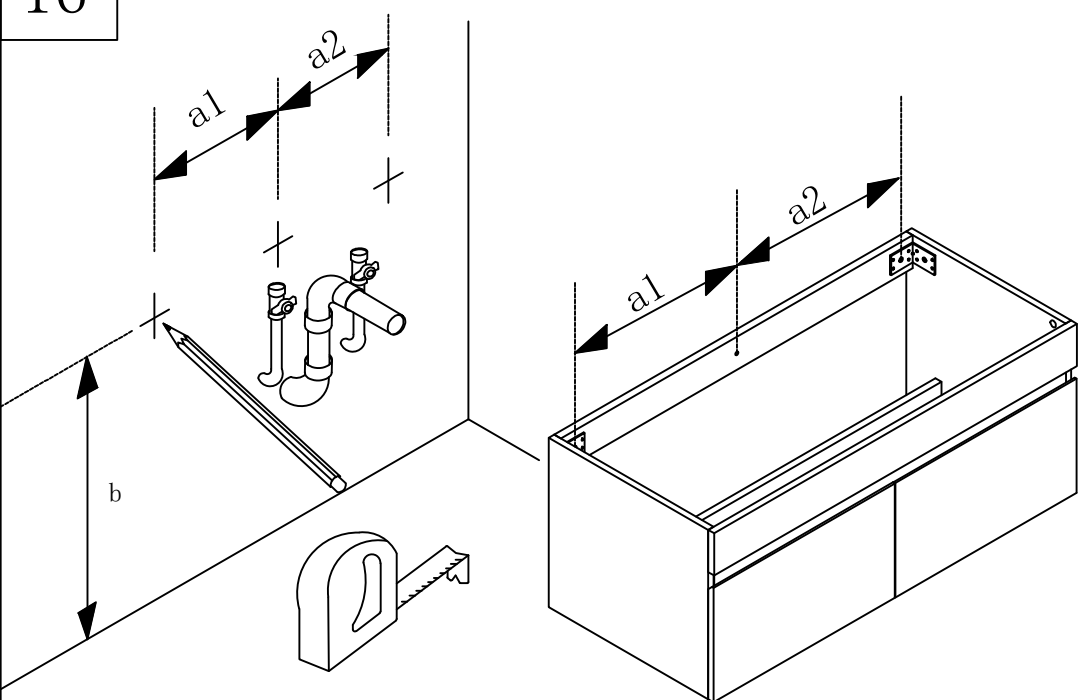
14



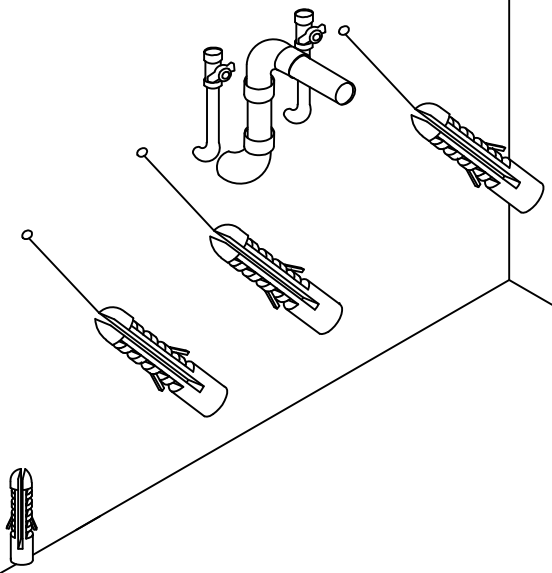
15




16

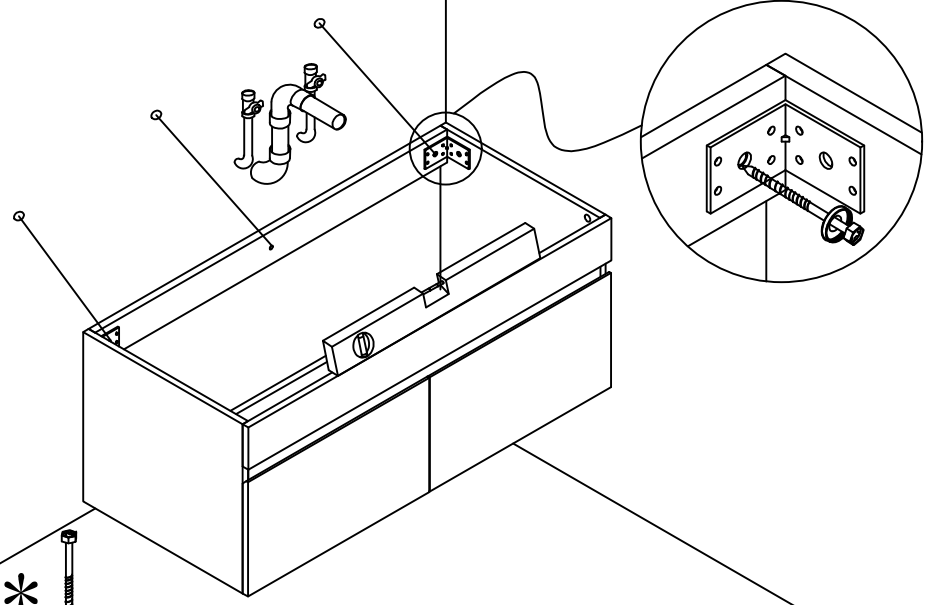




17



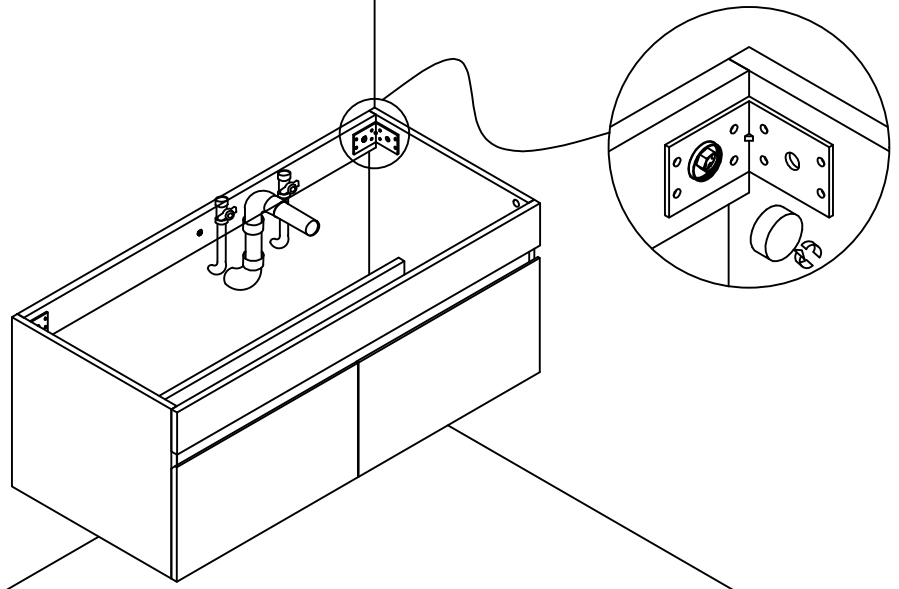
K=3* 


18



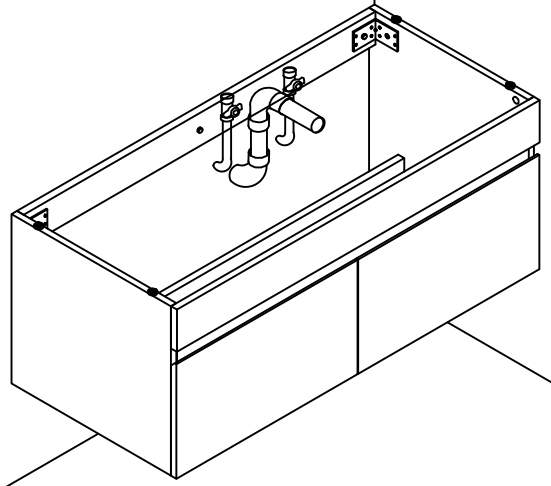
L=3* 
 J=3* 

19

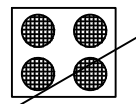


J=3* 

20



OK!


 P=4