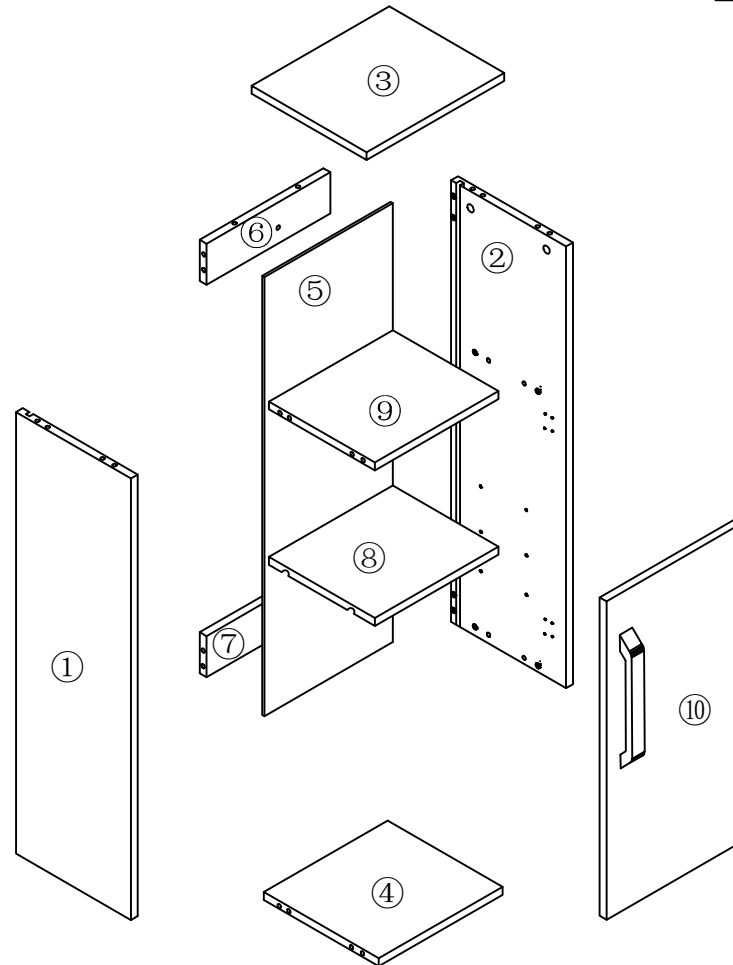
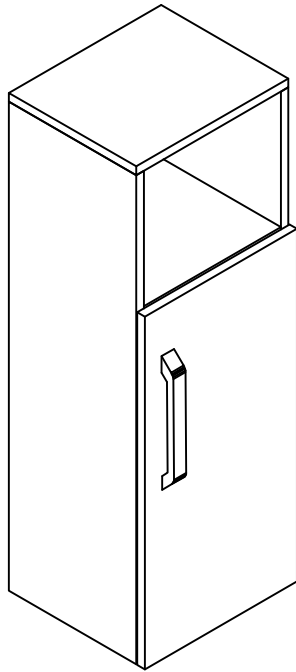
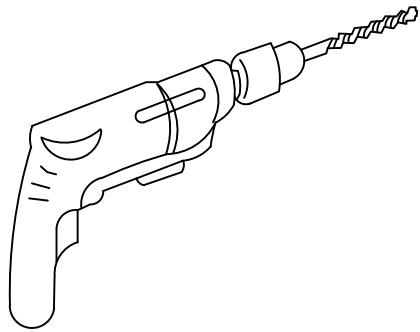
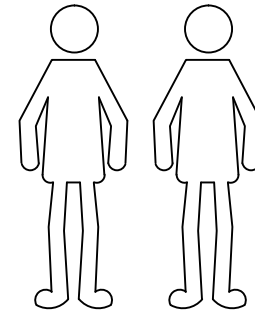
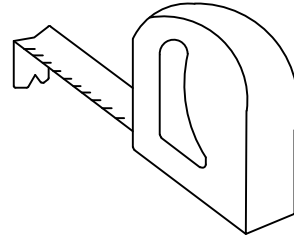
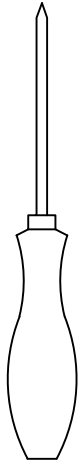
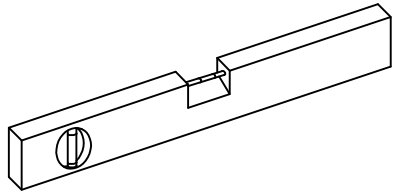


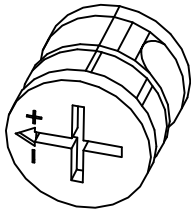
Y-D101



Order	(L*W) MM
①	835*251=1
②	835*251=1
③	300*251=1
④	270*251=1
⑤	830*280=1
⑥	270*78=1
⑦	270*78=1
⑧	269*229=1
⑨	270*231=1
⑩	602*300=1

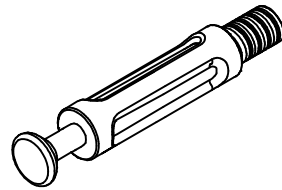


A



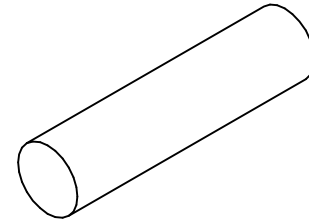
$\phi 15 * 13 \text{mm}$
=24

B



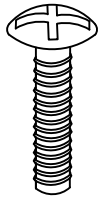
$\phi 8 * 40 \text{mm}$
=24

C



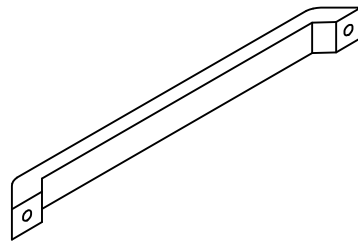
$\phi 8 * 40 \text{mm}$
=12

D



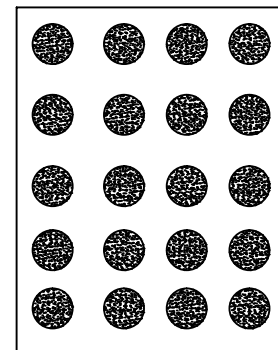
$\phi 4 * 16 \text{mm}$
=2

E



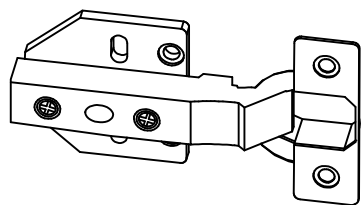
$212 * 16 * 30 \text{mm}$
=1

F



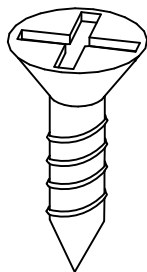
$\phi 20 * 0.3 \text{mm} = 26$

G



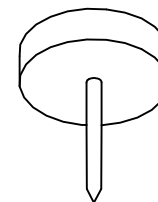
25*65*25mm
=2

I



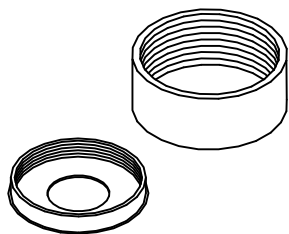
4*14mm
=12

Q



φ15*20mm
=4

J



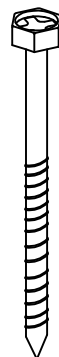
φ19*6mm
=2

K



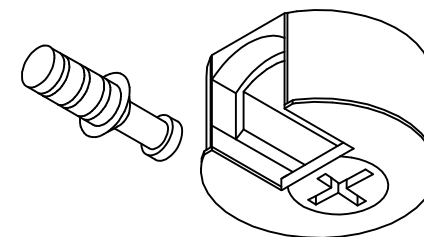
φ10*43mm
=2

L



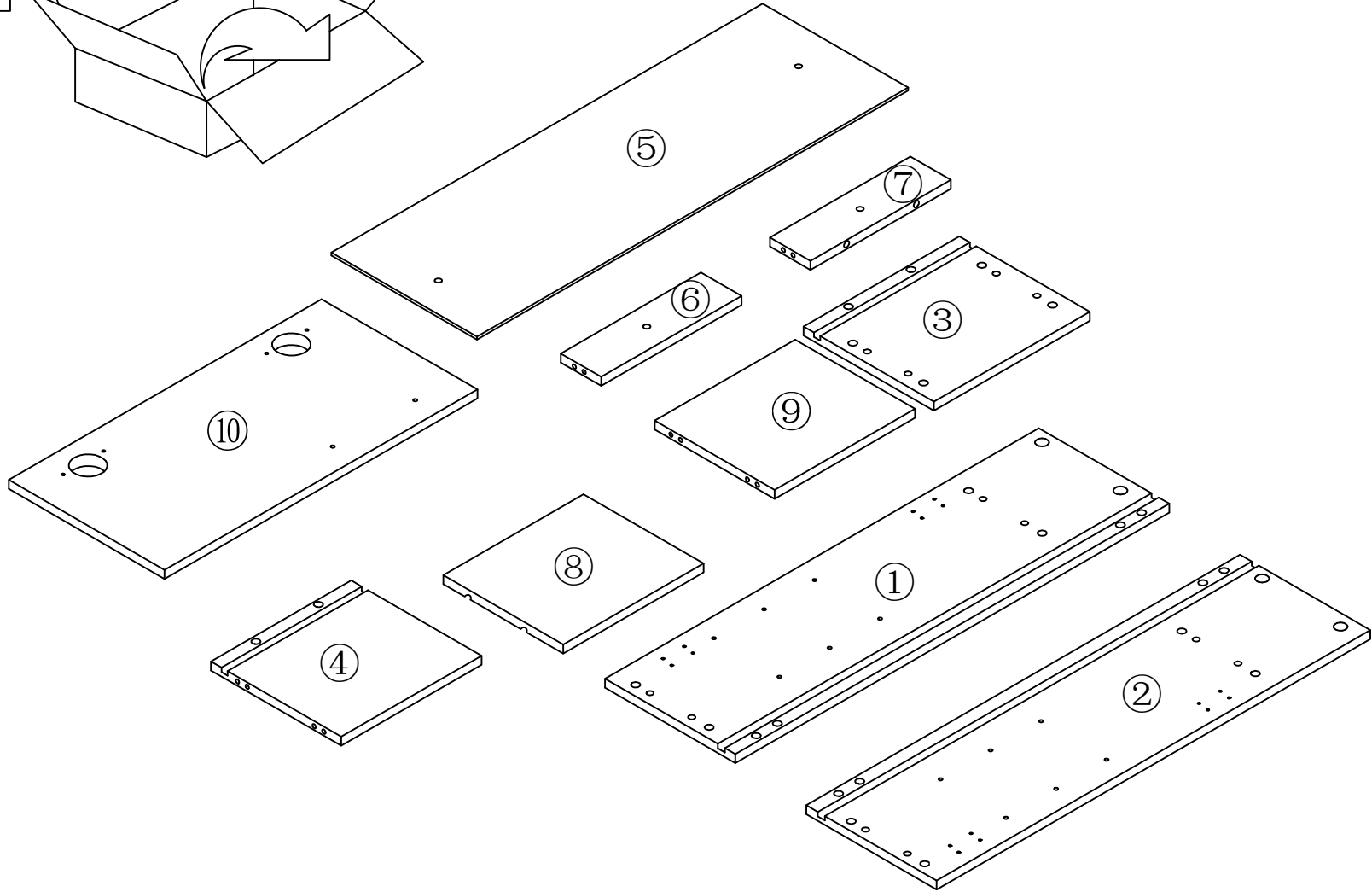
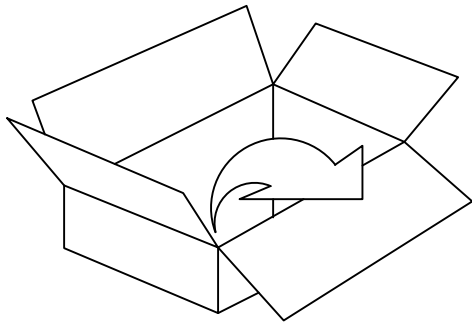
φ6*70mm
=2

N

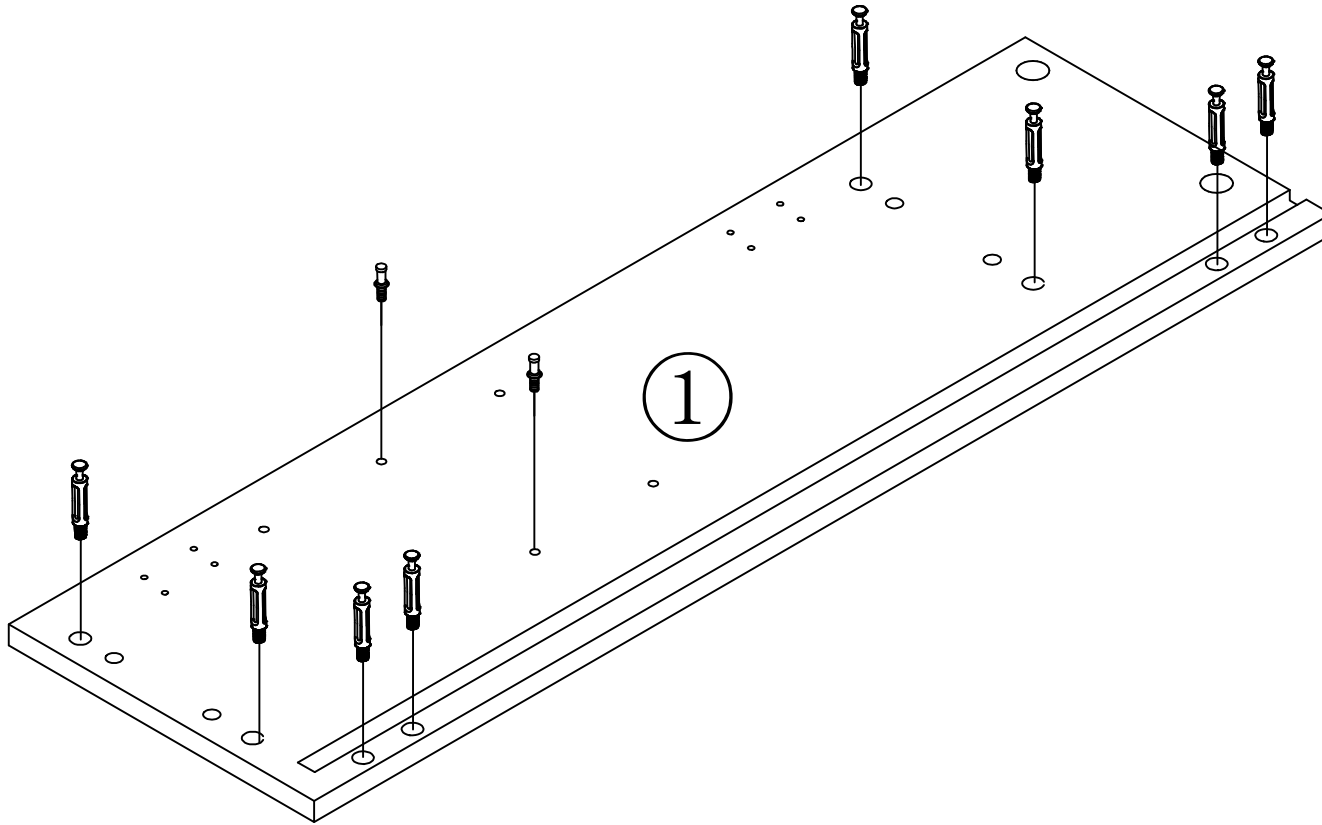


φ20*10mm
=4

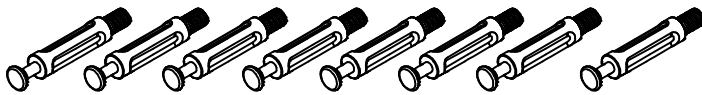
1



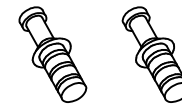
2



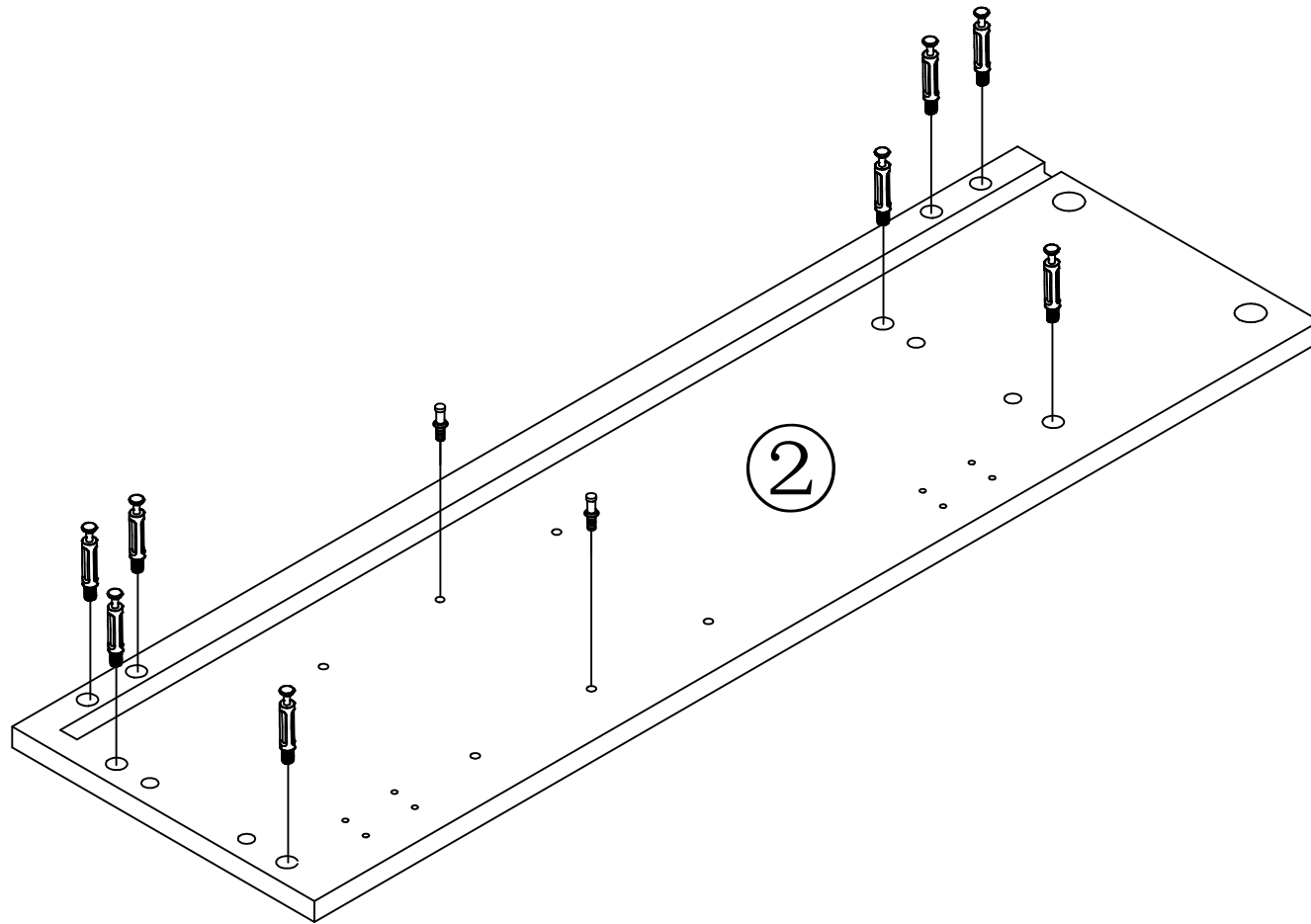
B=8



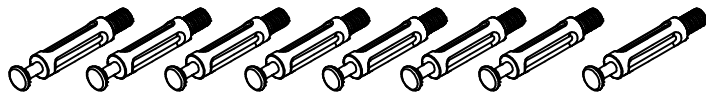
N=2



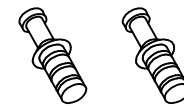
3



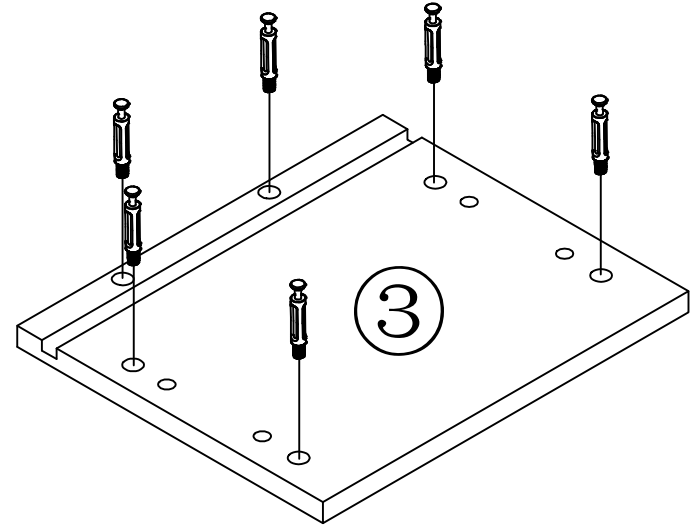
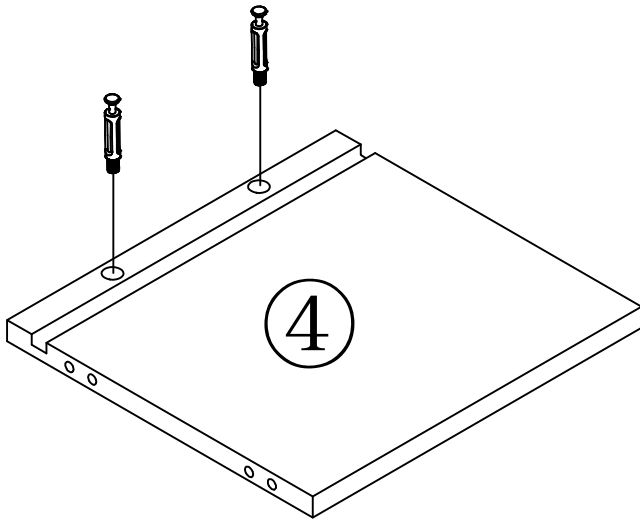
B=8



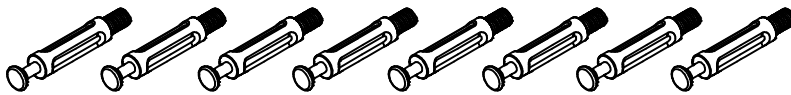
N=2



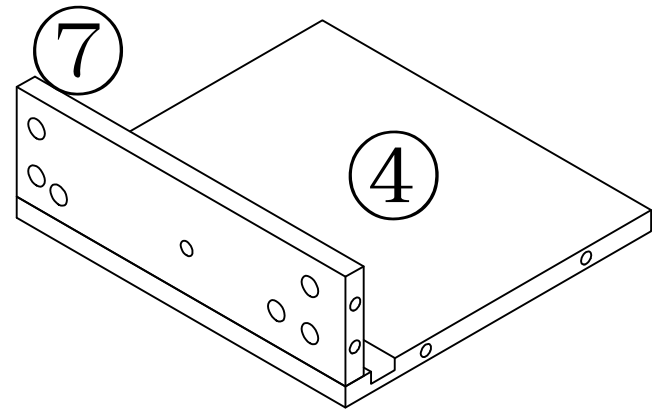
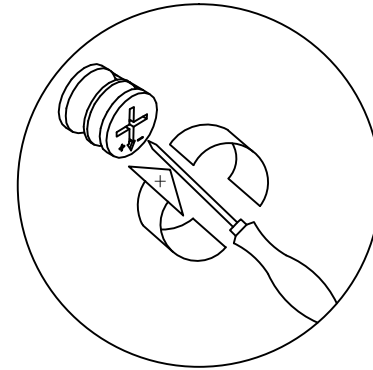
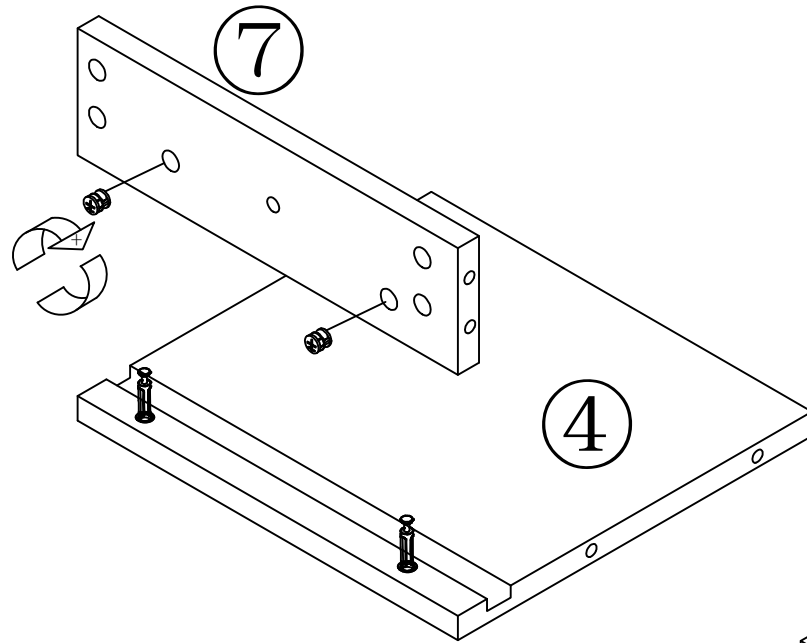
4



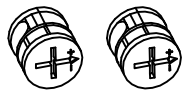
B=8



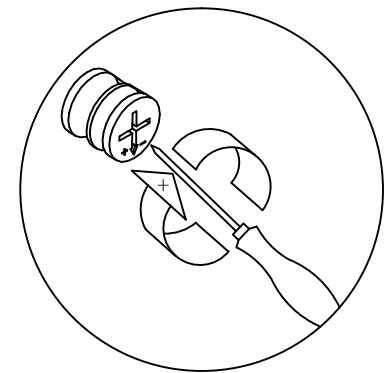
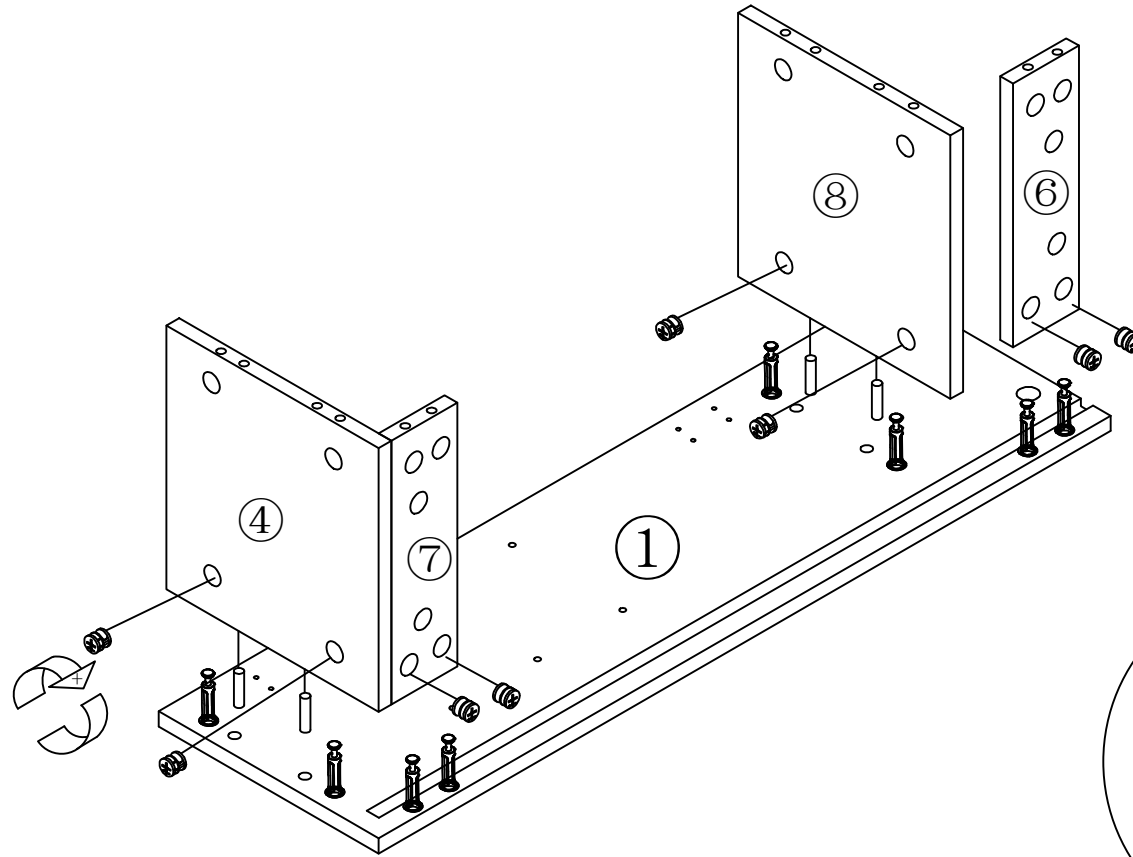
5



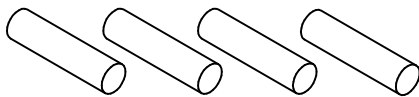
A=2



6



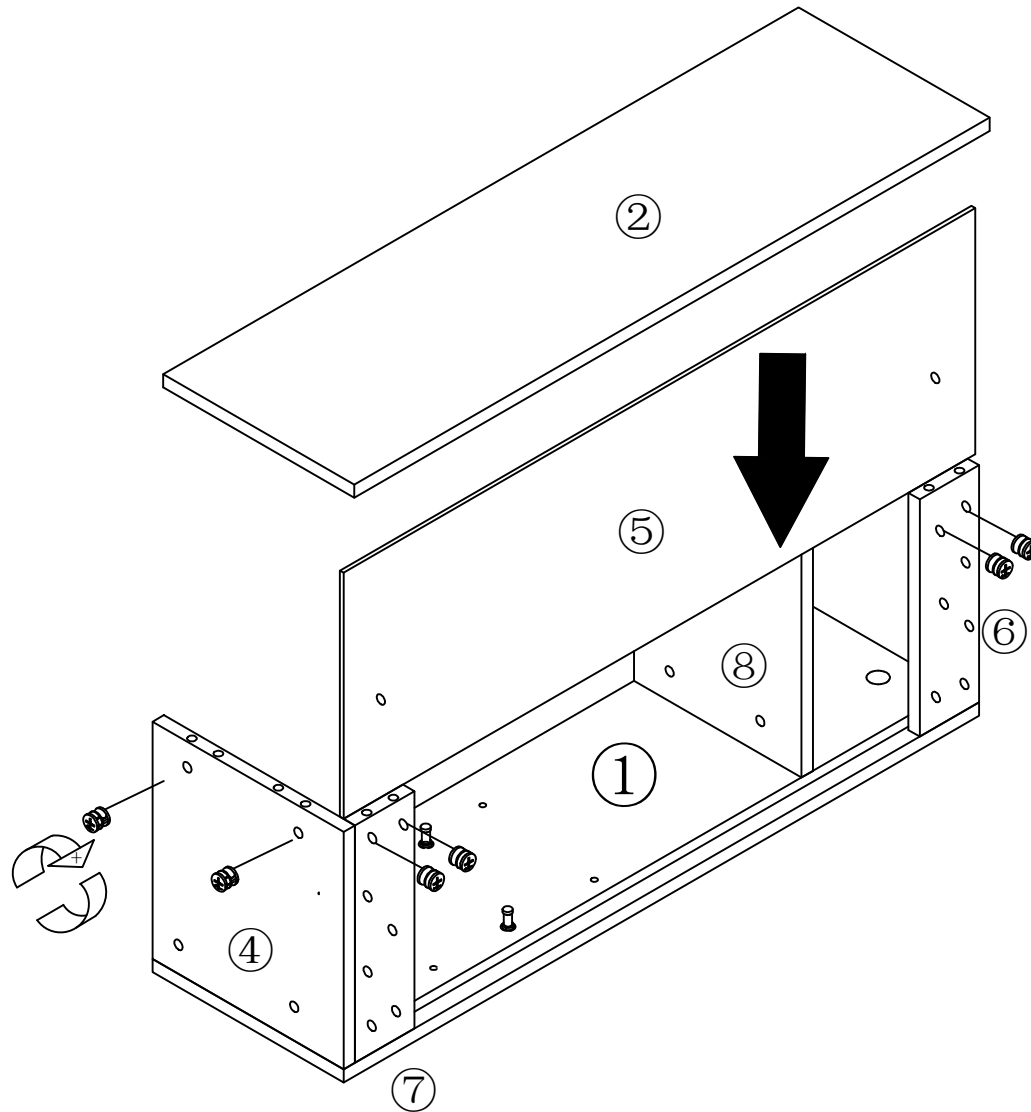
C=4



A=8



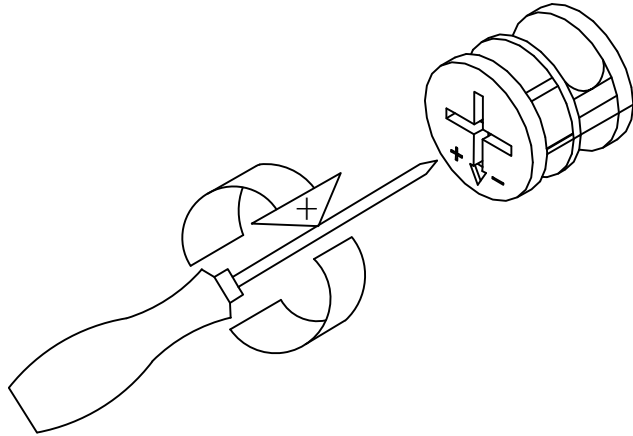
7



A=8



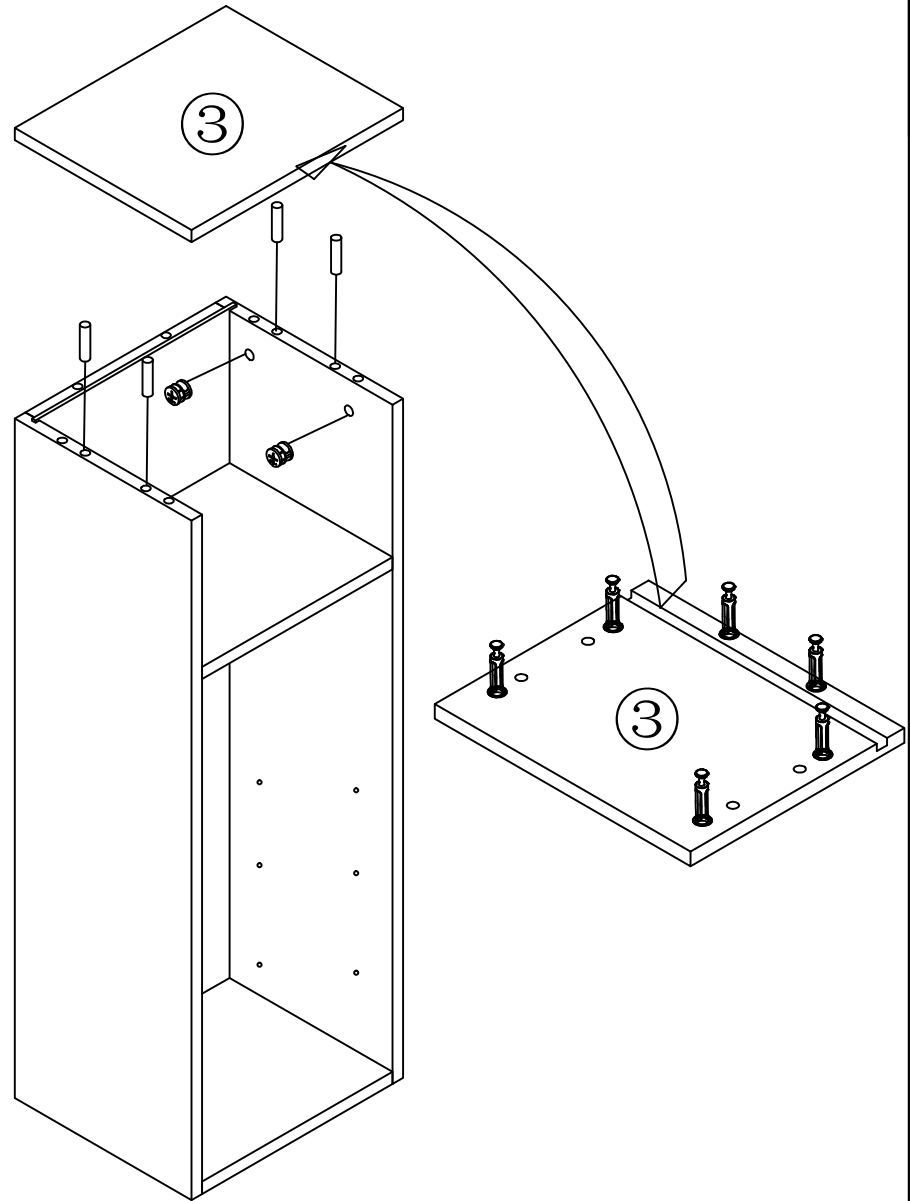
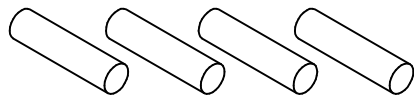
8



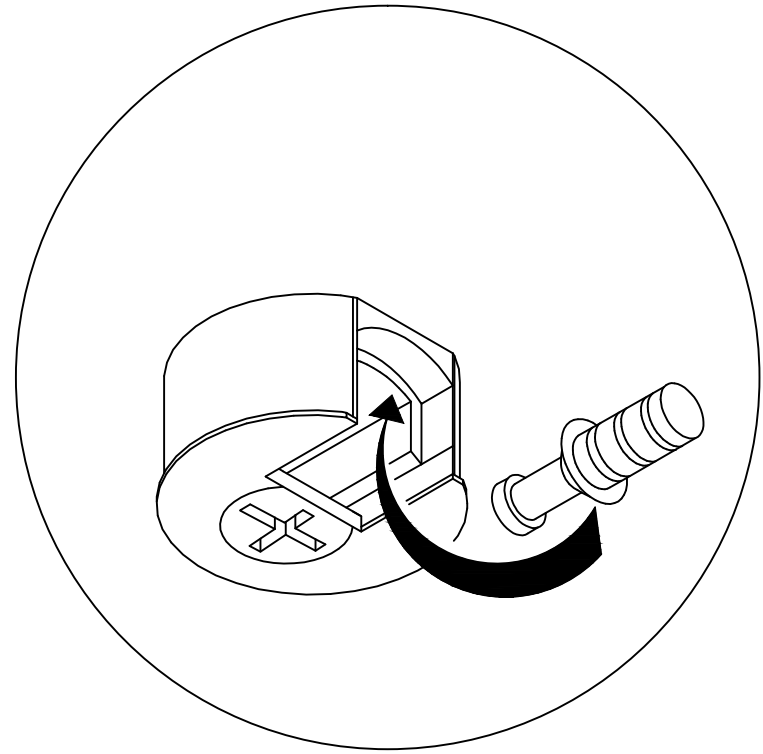
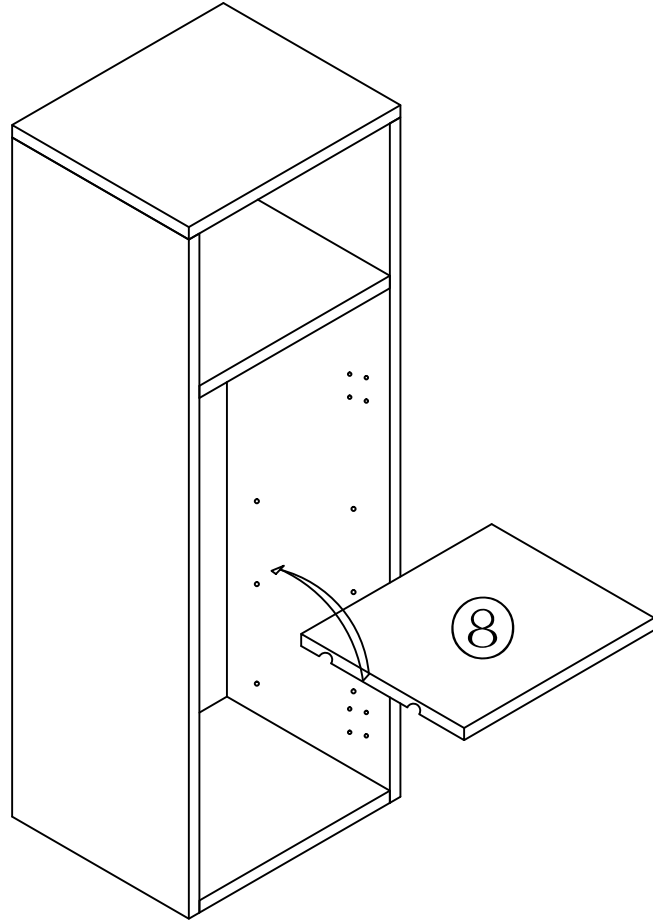
A=6



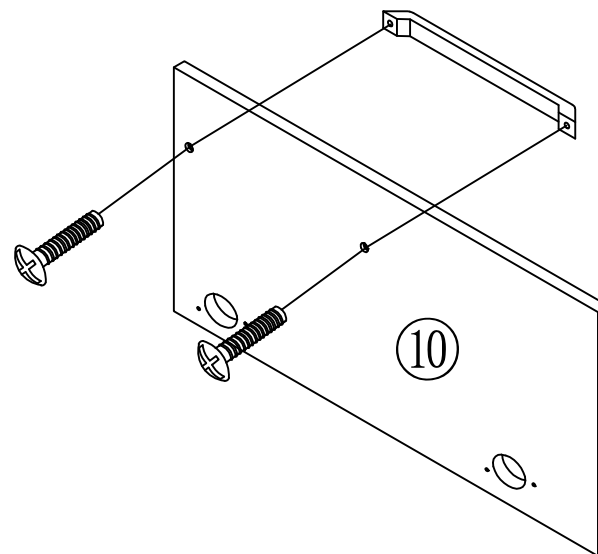
C=4



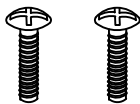
9



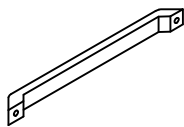
10



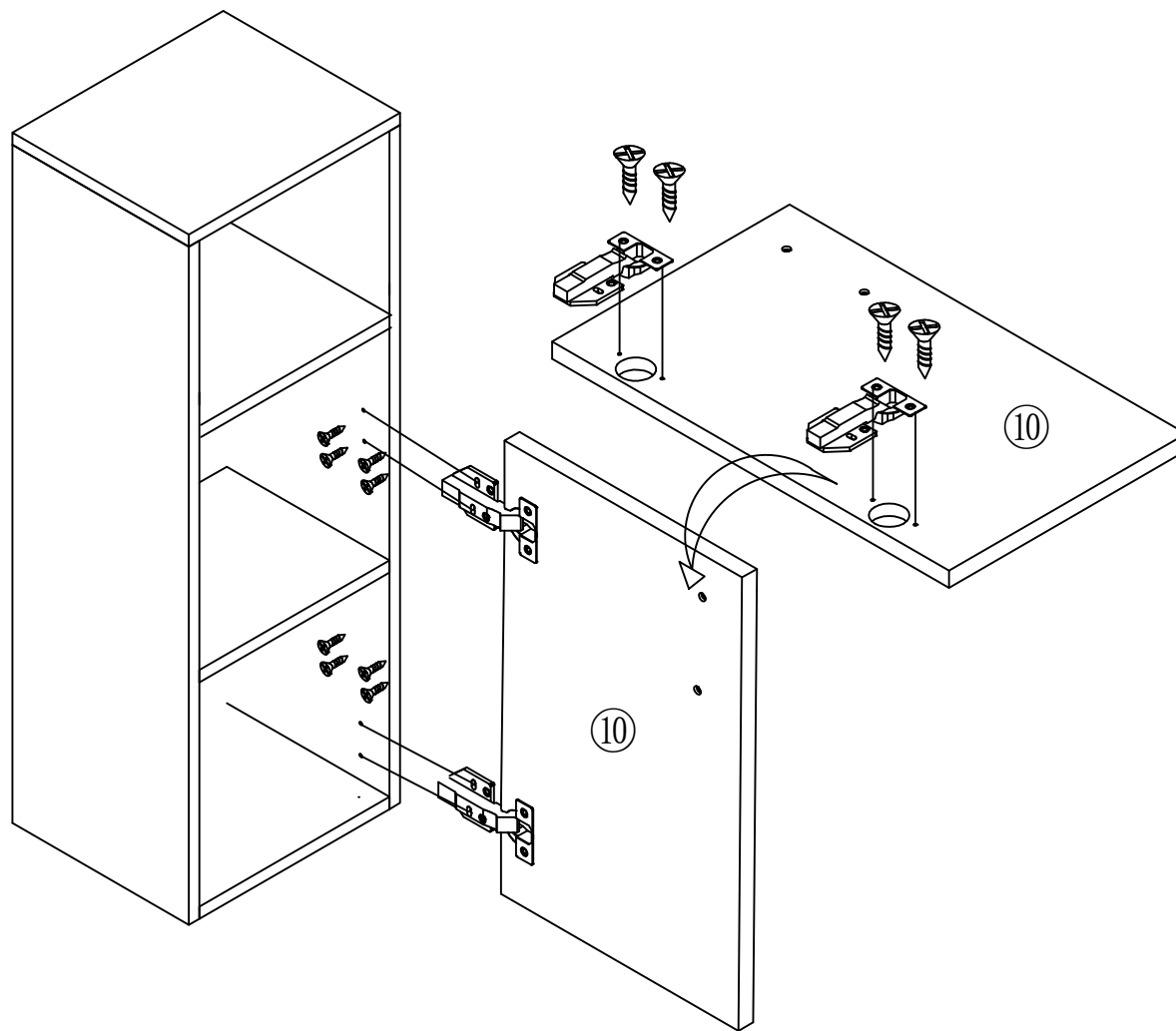
D=2



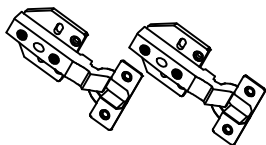
E=1



11



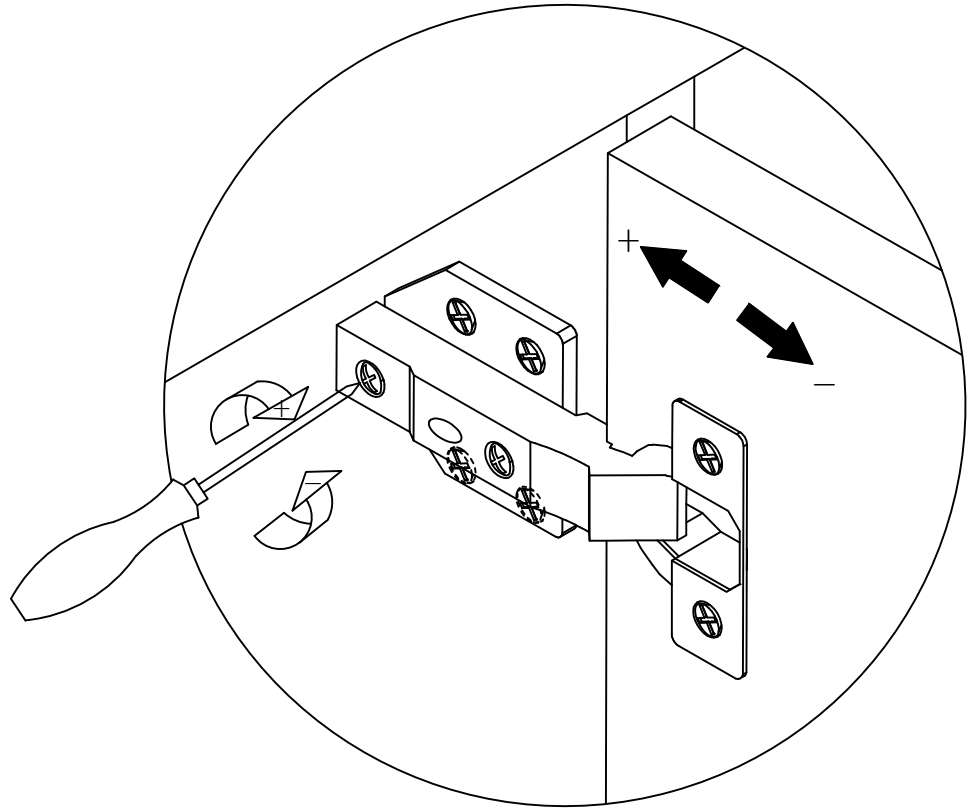
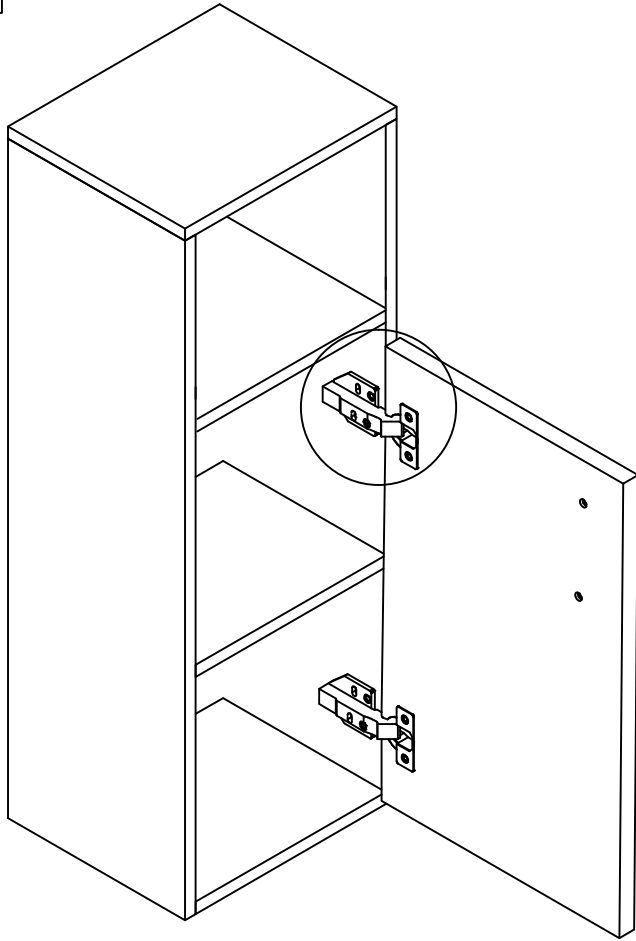
G=2



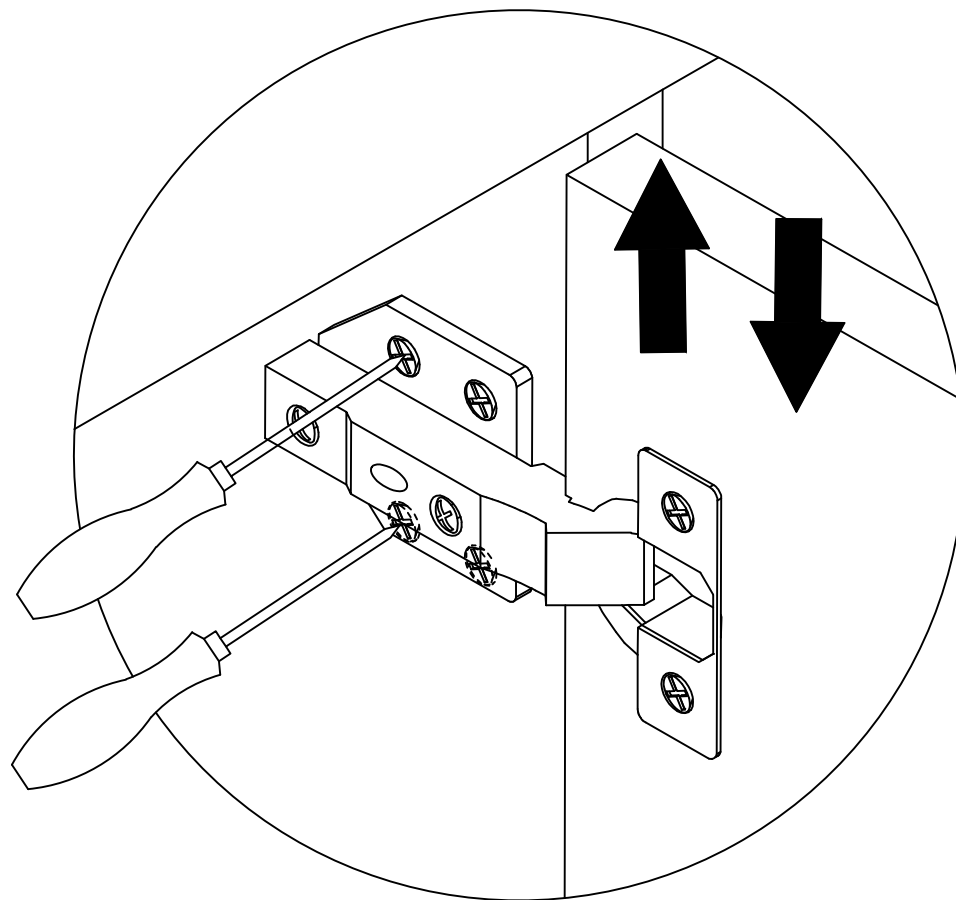
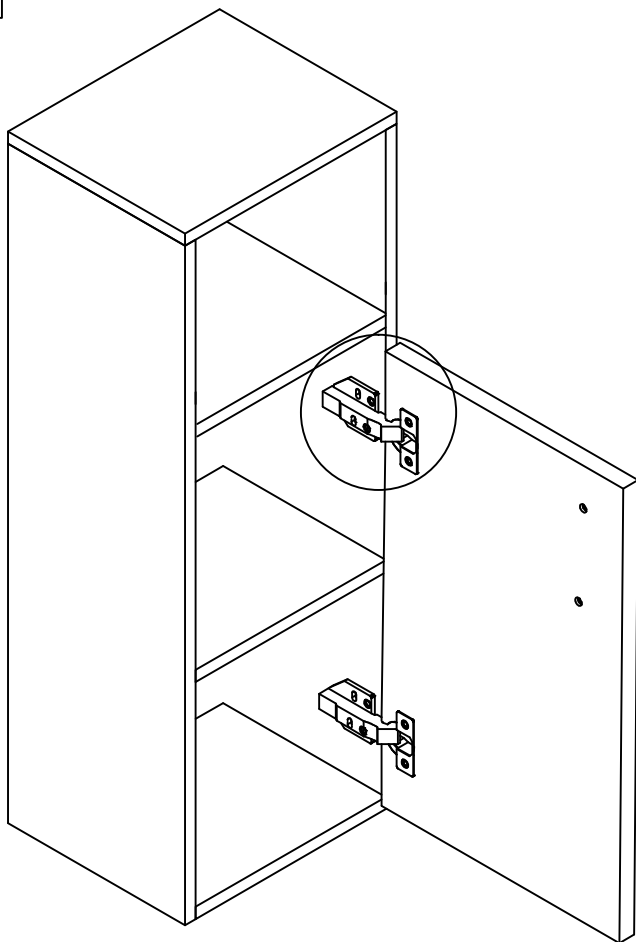
I=12



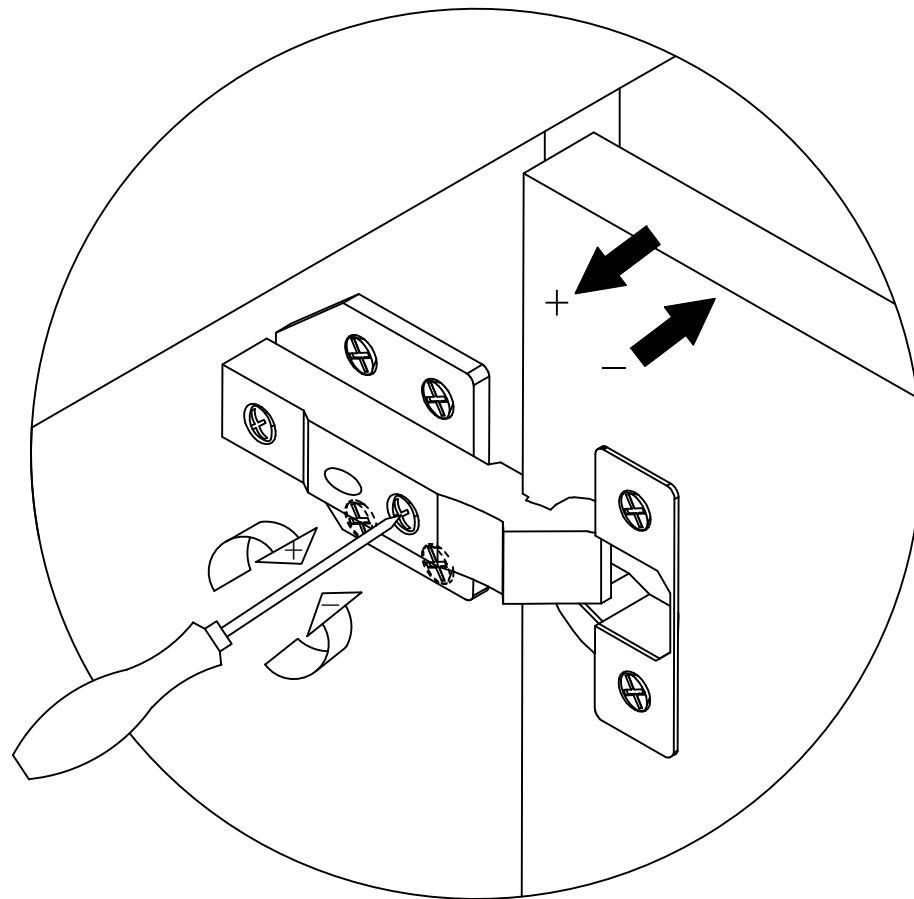
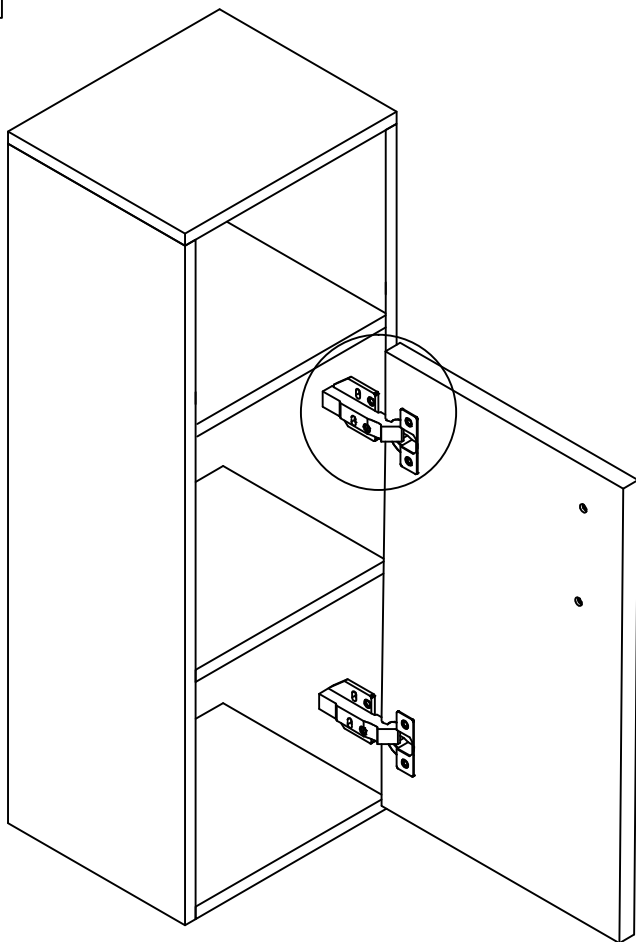
12



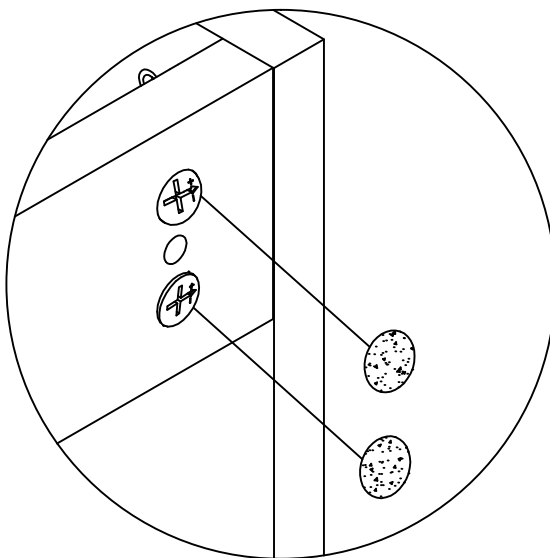
13



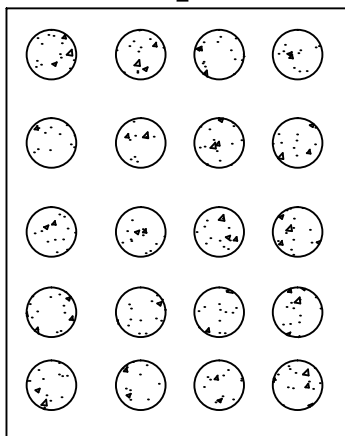
14



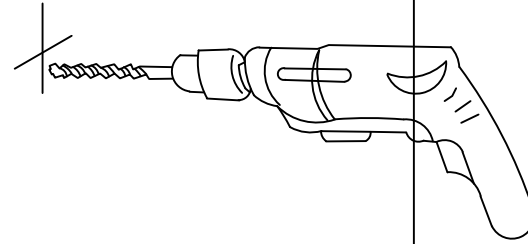
15



F

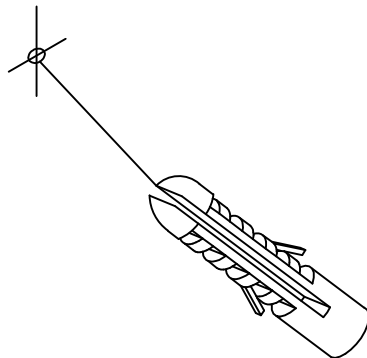
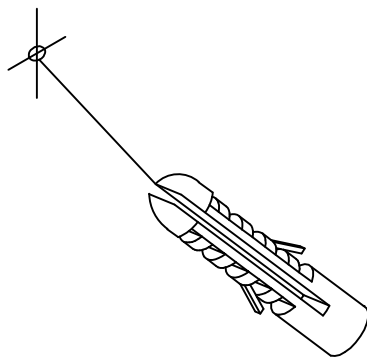


16

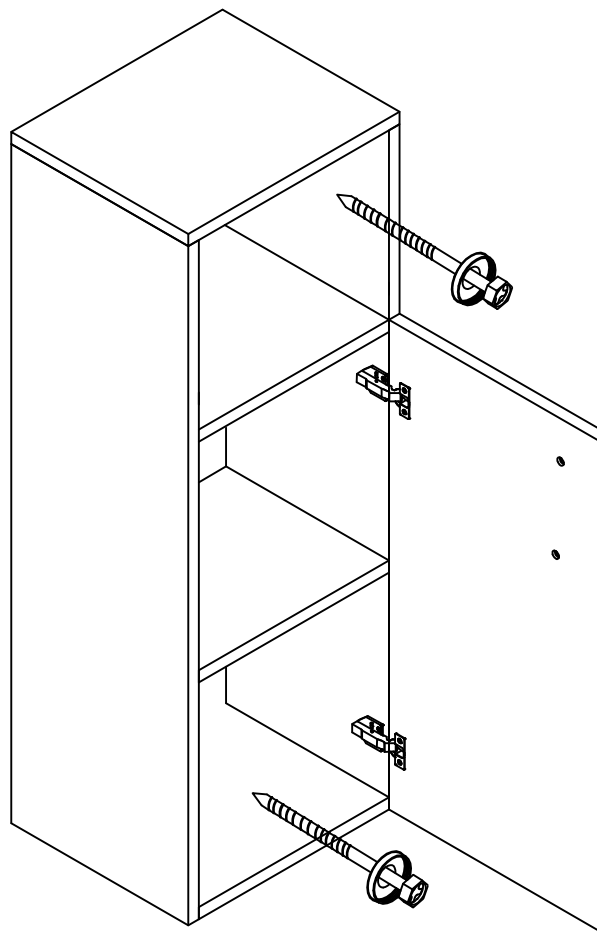
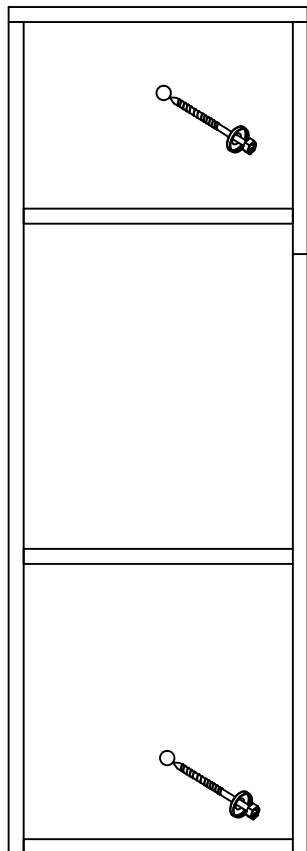


17

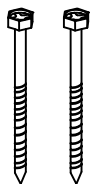
$K=2$



18



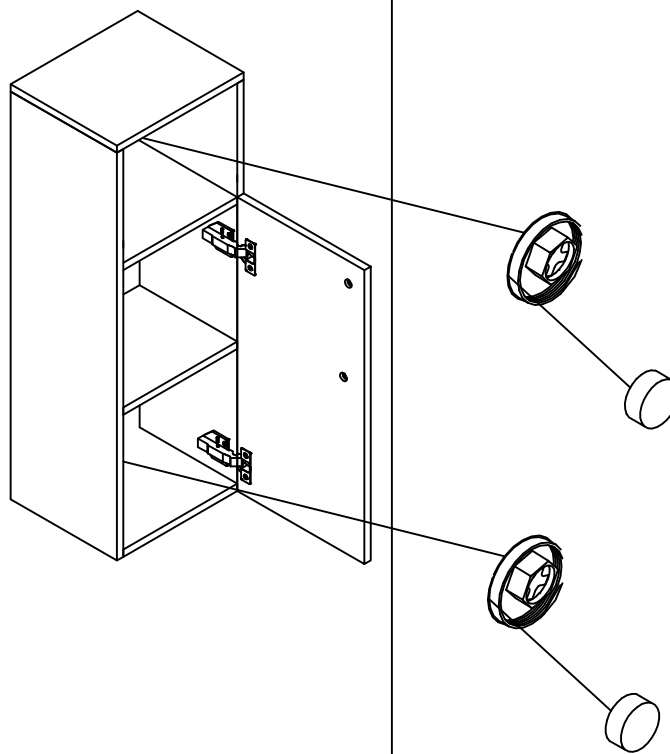
L=2



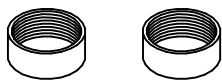
J=2



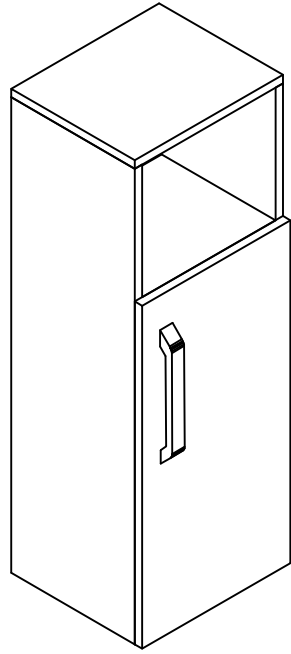
19



J=2



20



OK!